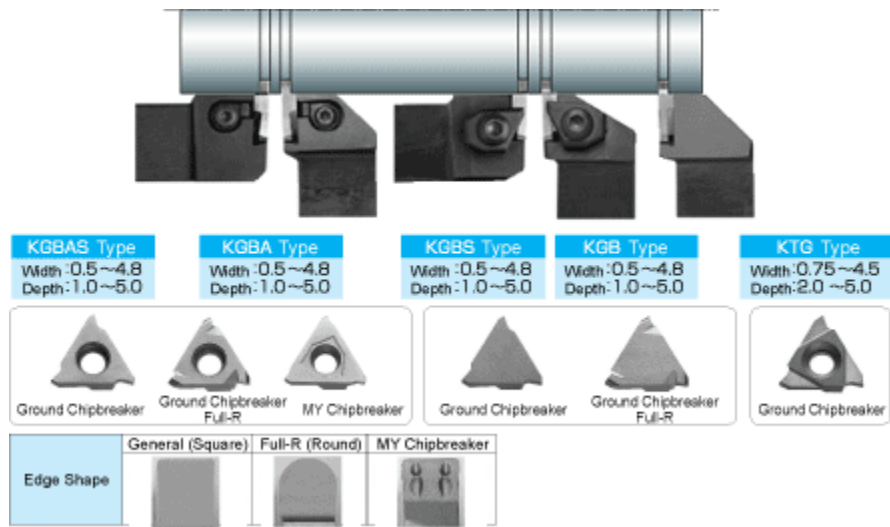
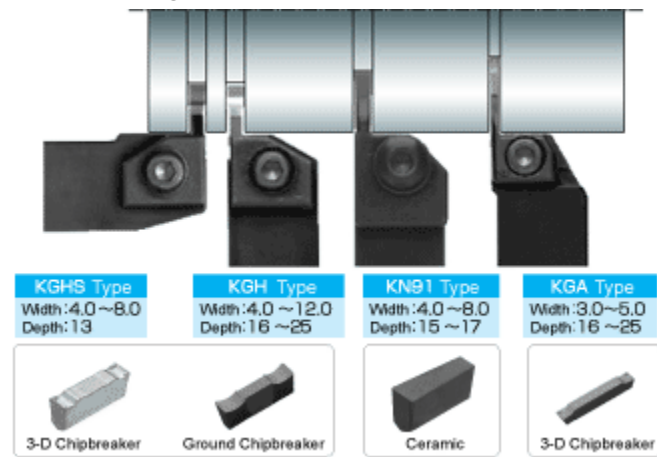


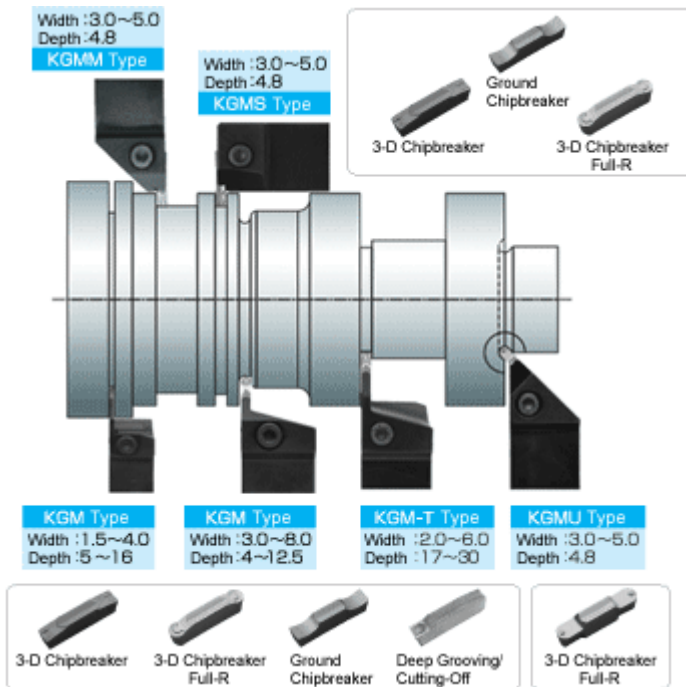
EXTERNAL GROOVING



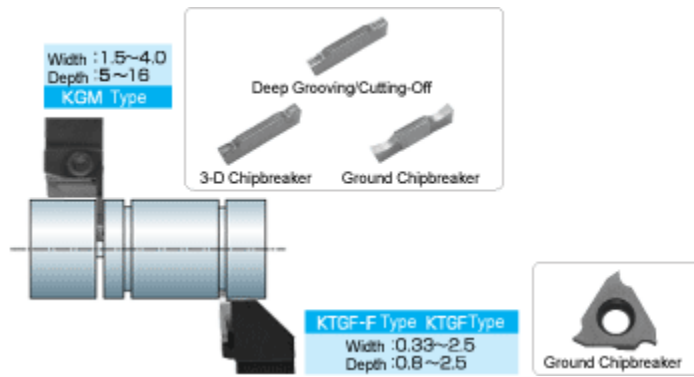
Deep Grooving



External Grooving & Traversing (Multi-Function CERACUT Plunge & Turn)

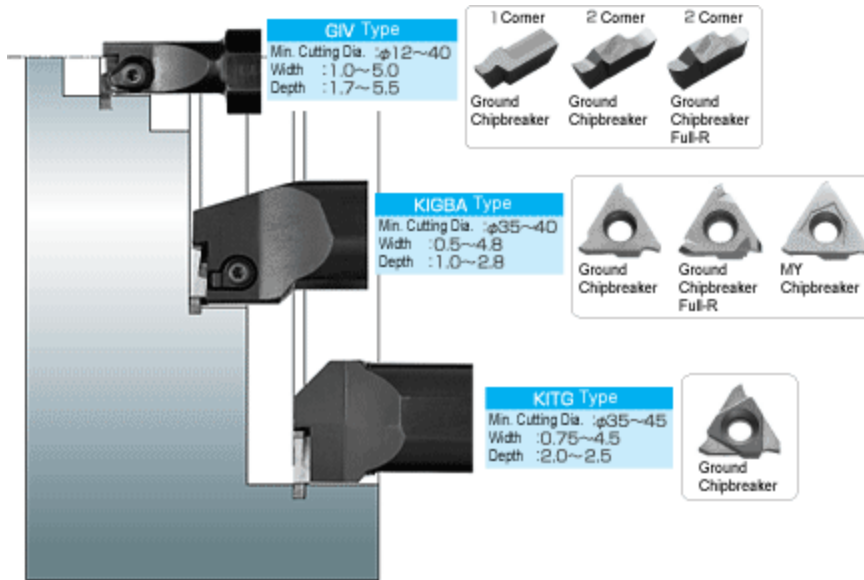


External Grooving of Precision Parts (Small Shank)

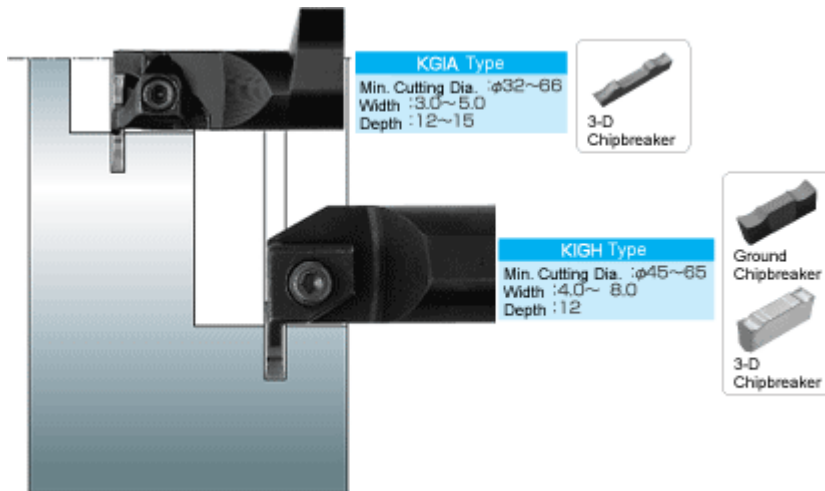


INTERNAL GROOVING

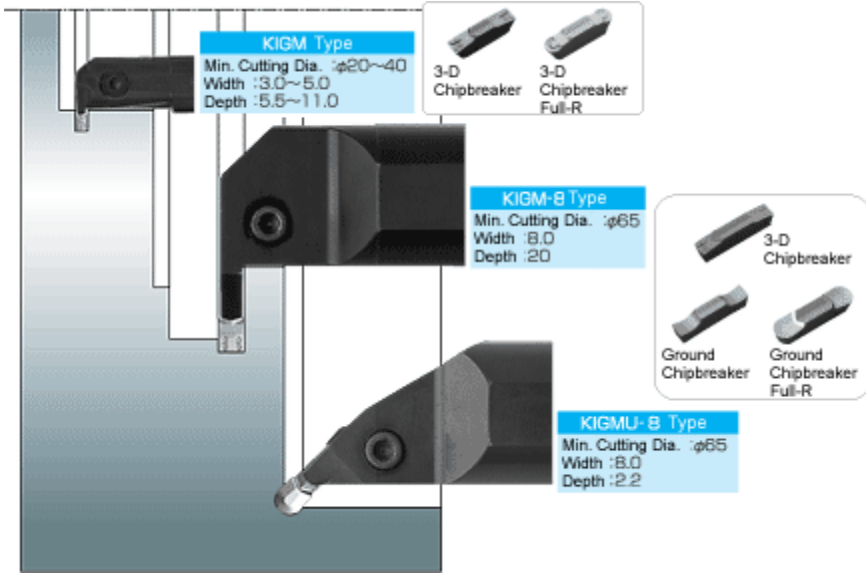
Shallow Grooving $\phi 12\sim$



Deep Grooving



Internal Grooving & Traversing $\phi 20 \sim$ (Multi-Function CERACUT Plunge & Turn)



Internal Grooving (Small Dia. $\phi 4 \sim$) (System Tip-Bar/Tip-Bar)

